

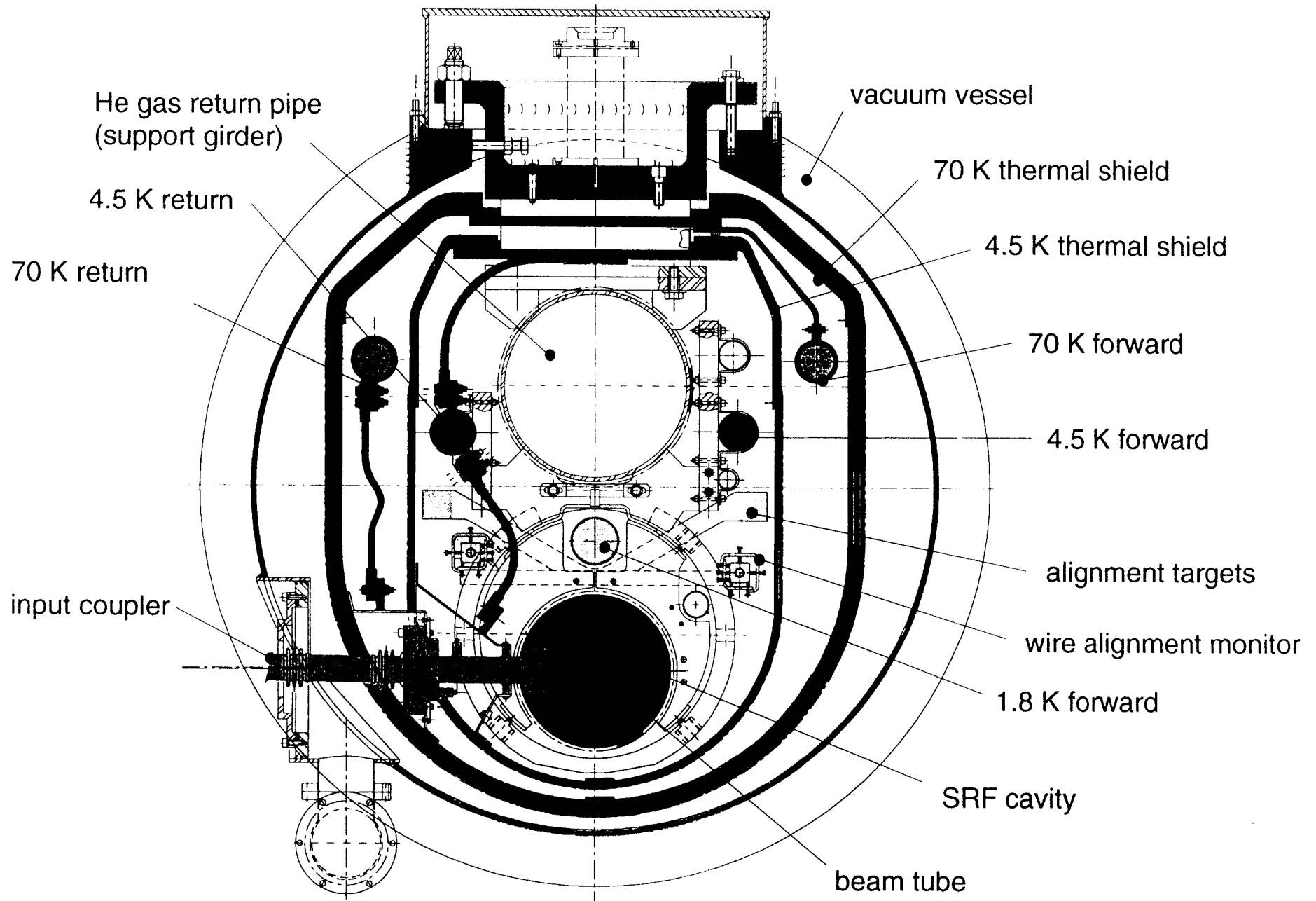
News on TTF Activities at INFN

(LNF, LNL, Milano & Roma2)

Presented by **Carlo Pagani**

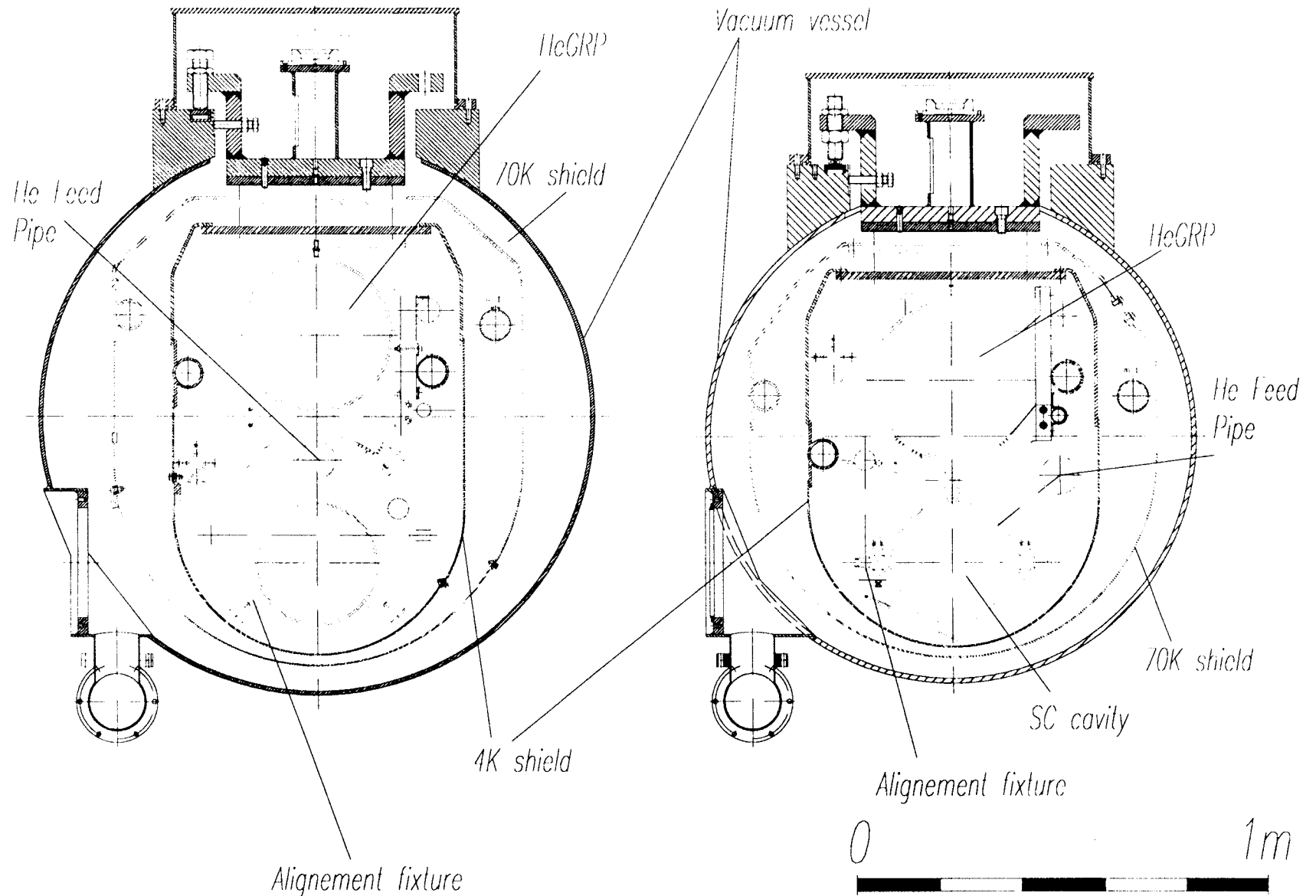
1) Cryostat Design & Cryomodule Assembly

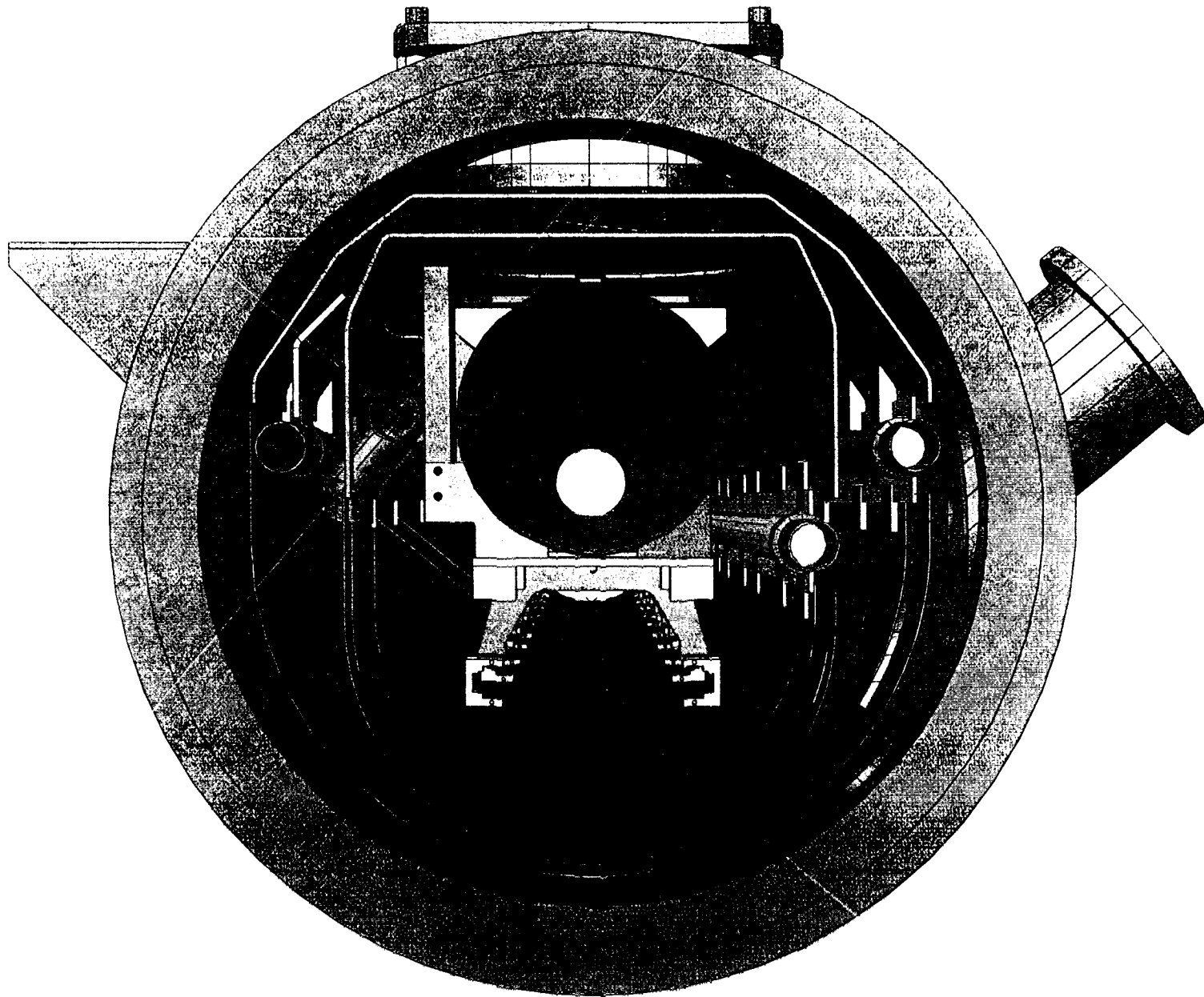
- Cryostats # 2 & # 3 - including WPMs
 - In operation at DESY
- Cryostat # 1 to # 1*
 - Delivered to DESY in these days
- New Assembling Tools
 - Delivered to DESY in these days
- Cryostats # 4 to # 6 in fabrication with WPMs
 - Expected delivery at DESY: February 2000
 - Composite posts (FNAL design) in fabrication
- Model for EXPO 2000 in fabrication at ZANON
 - Expected delivery at DESY: March 2000
- **2) Photocathodes** see Paolo Michelato
- **3) Beam Diagnostics** see Michele Castellano



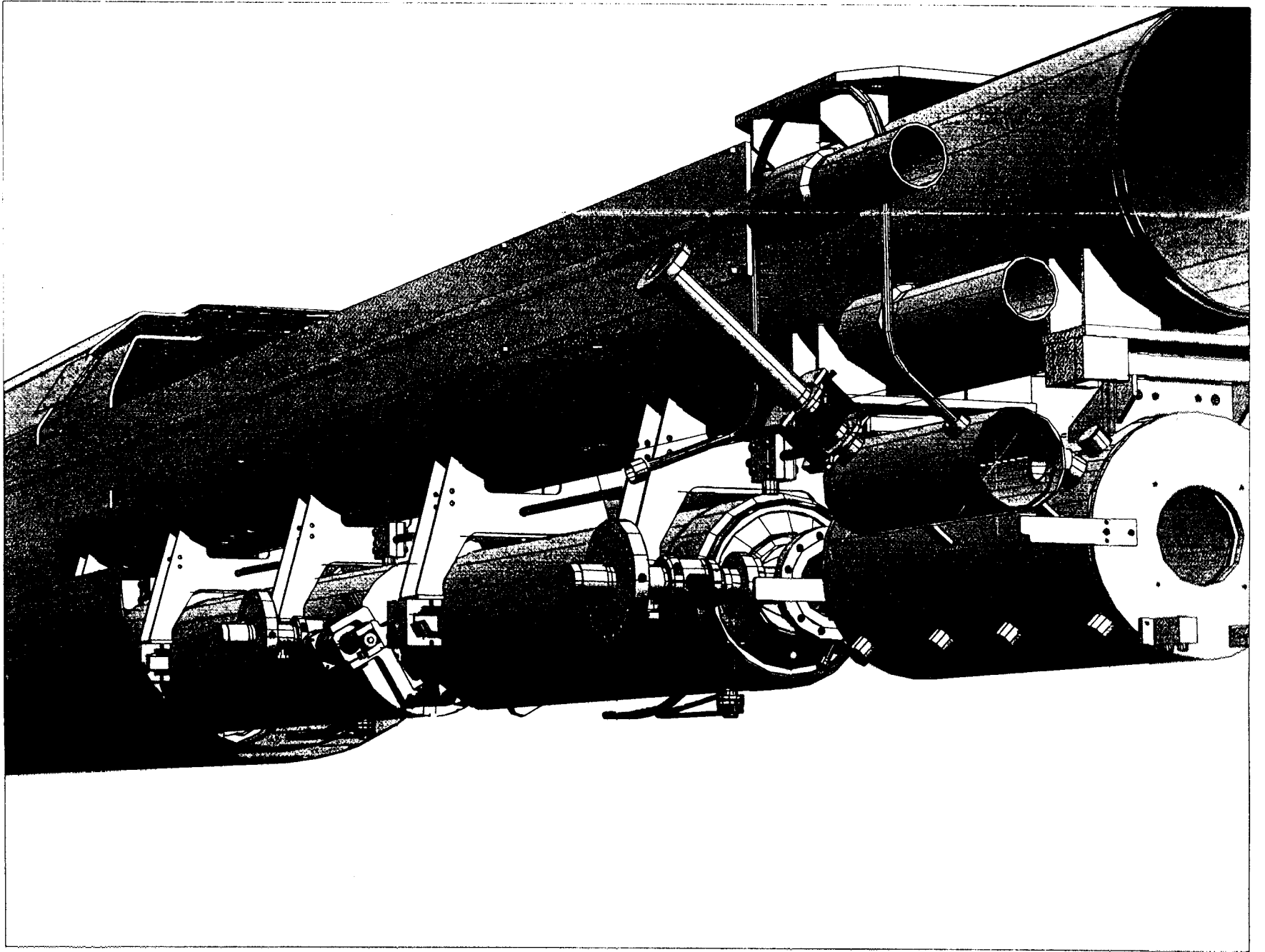
2nd Generation Cryomodule

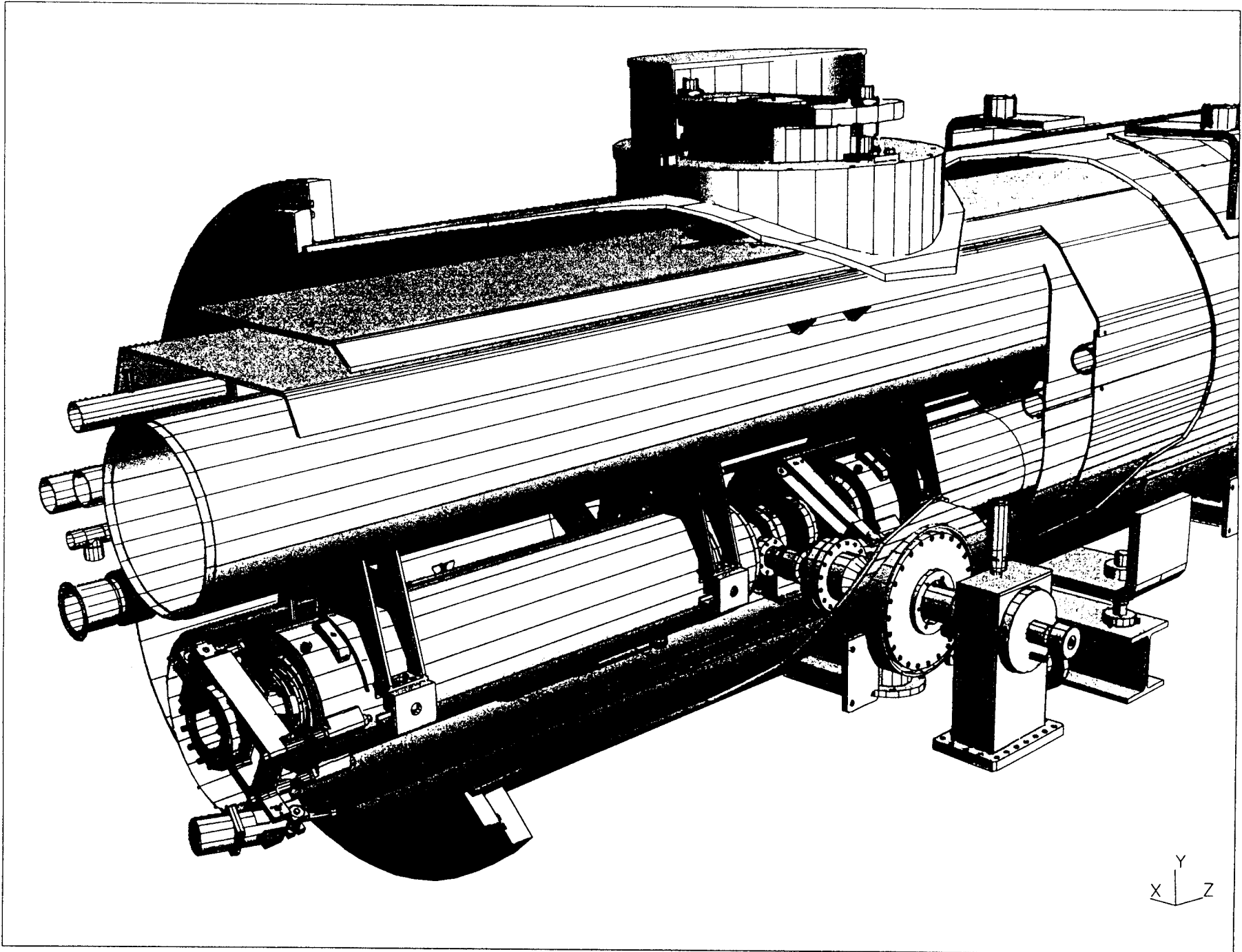
3rd Generation Cryomodule





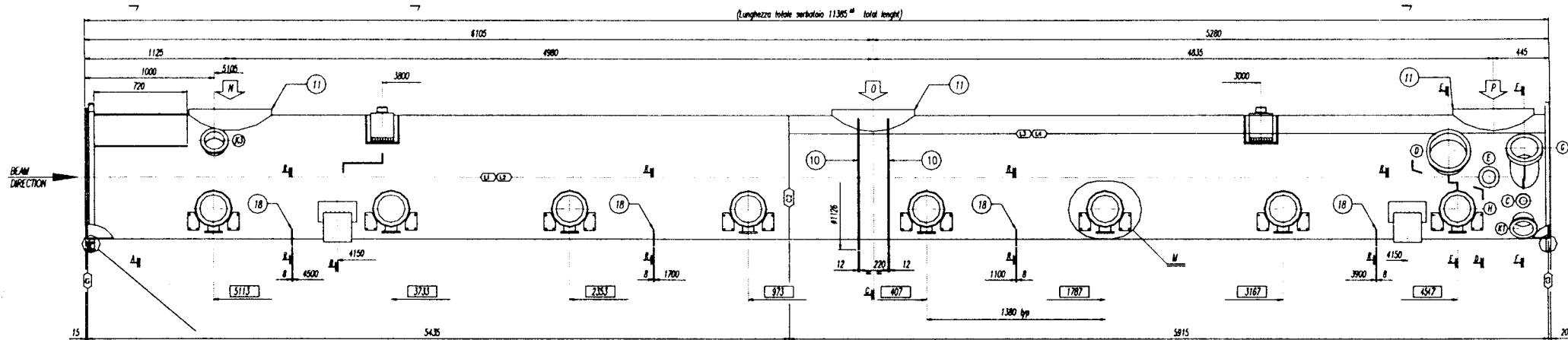
X
Y

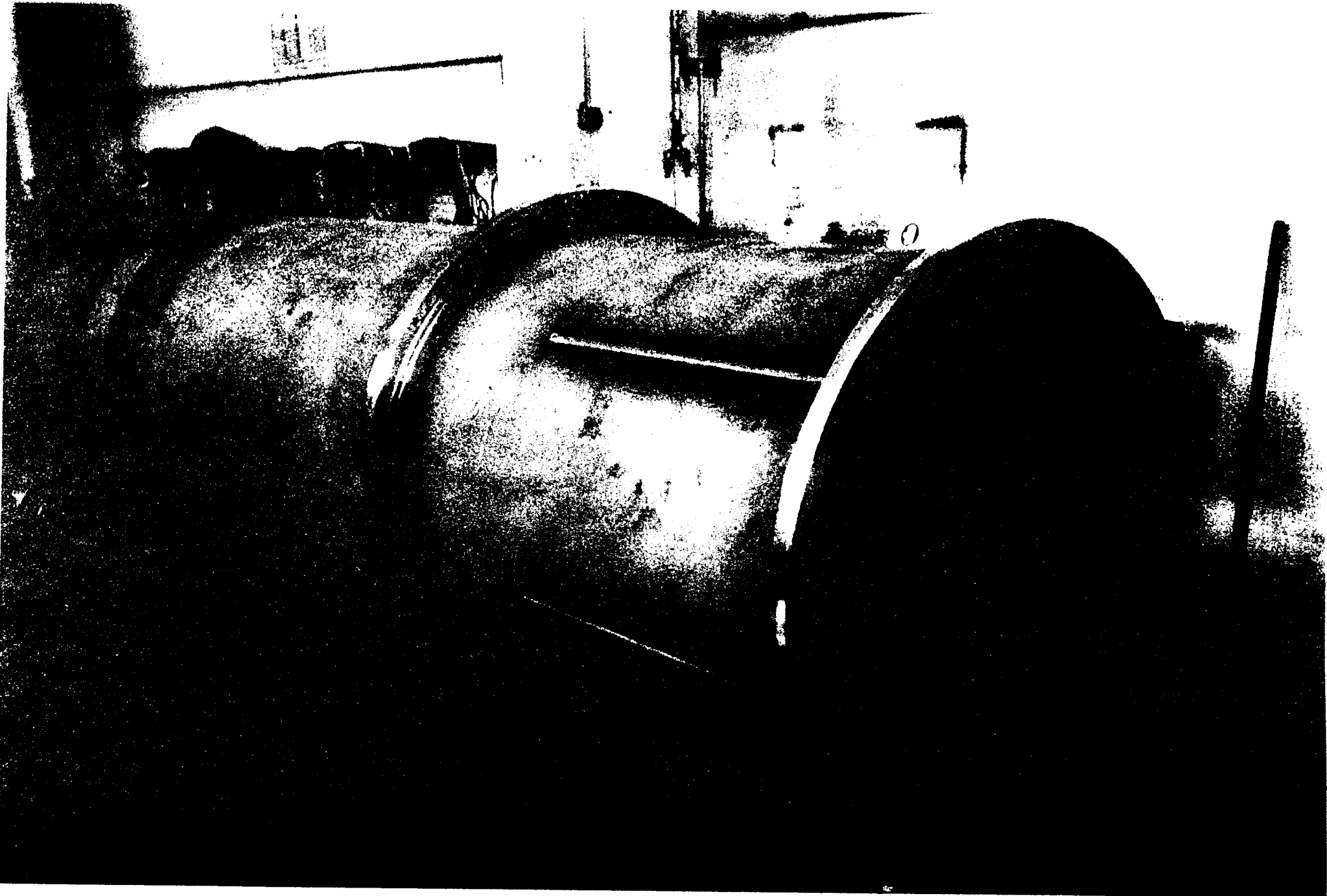




3rd Generation Cryomodule

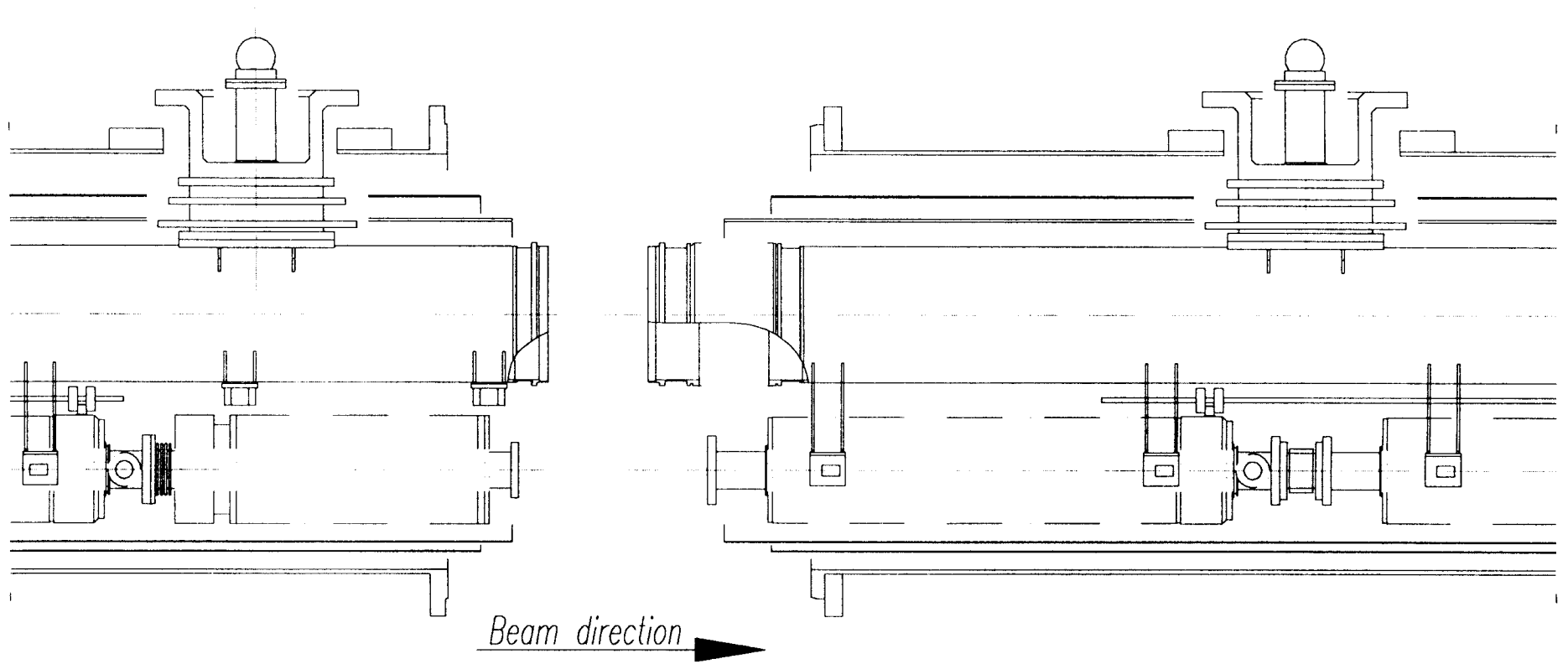
Vacuum Vessel

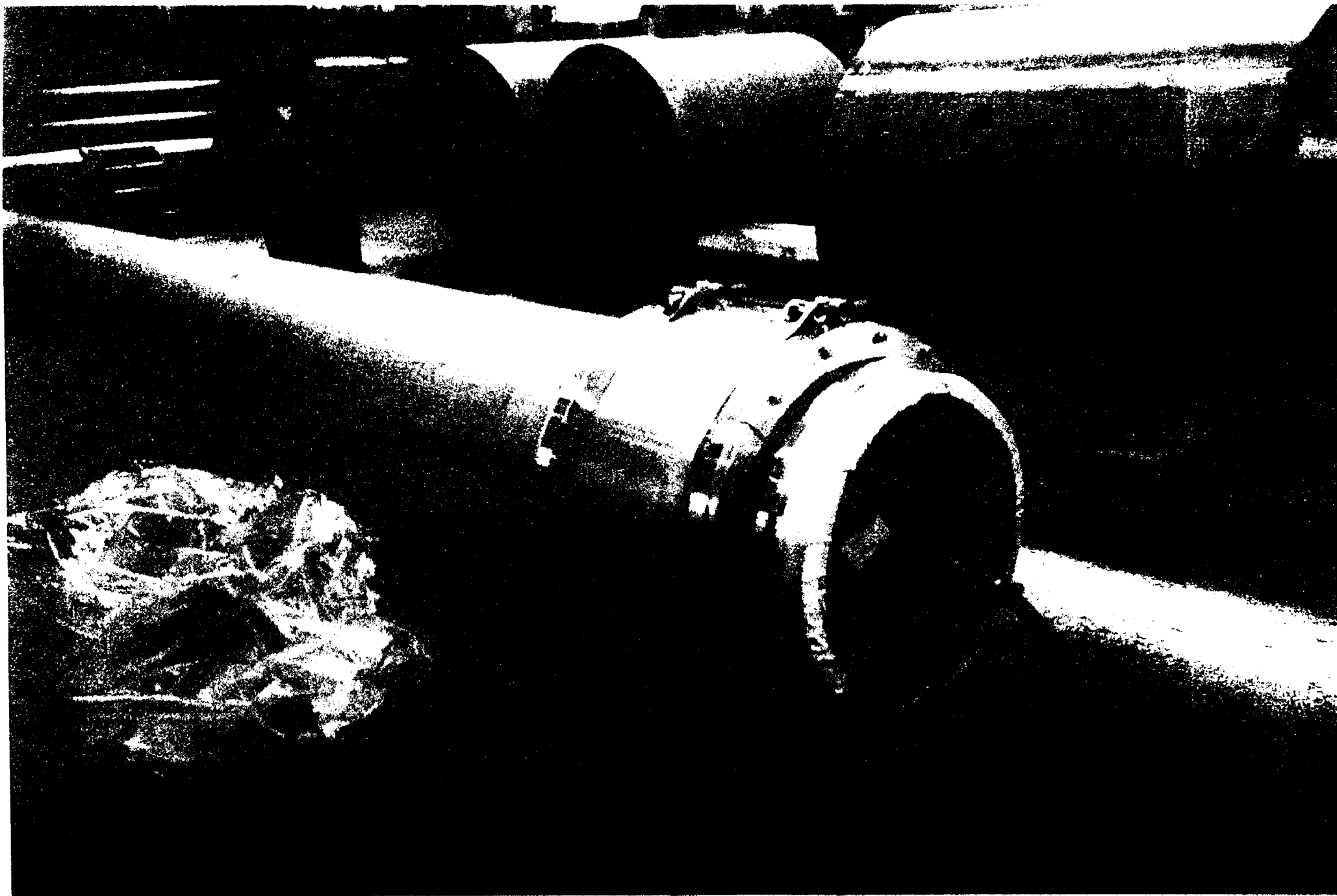




3rd Generation Cryomodule

Module Interconnection





MODEL FOR EXPO 2000

