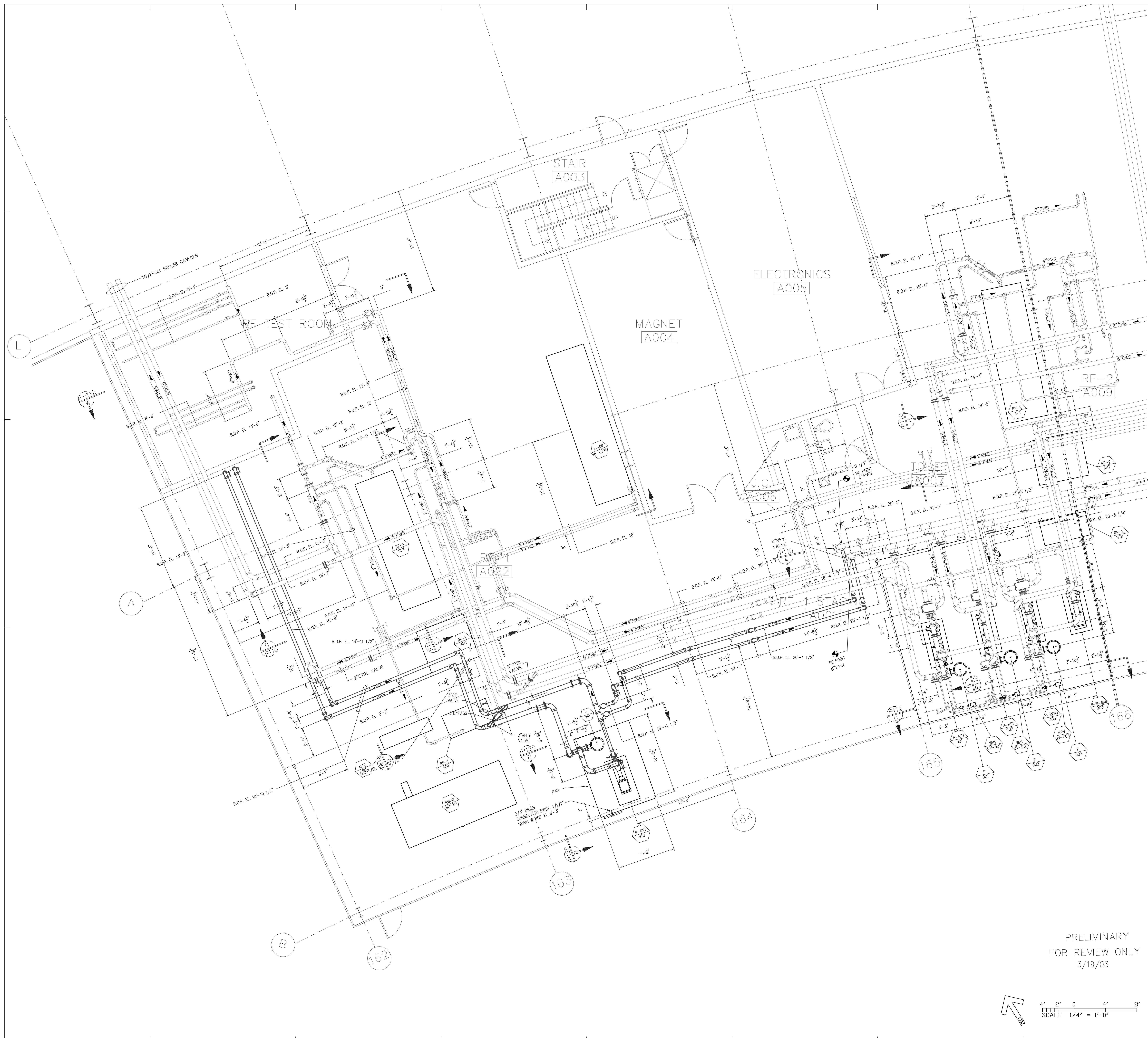
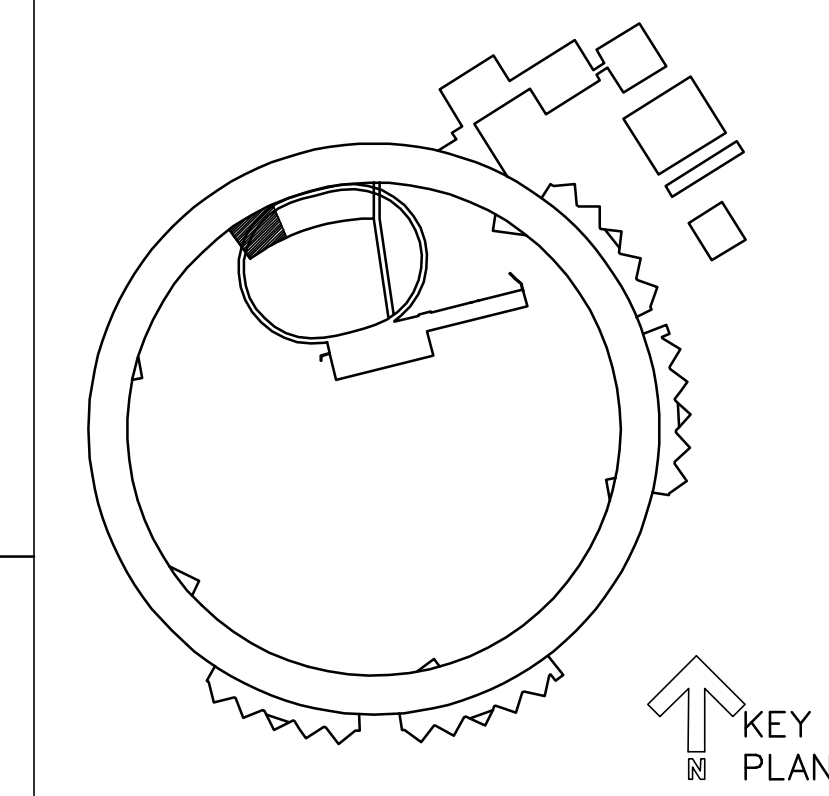


Piping Design Consultants  
200 E. HOWARD  
Suite 236  
DesPlaines, Illinois, 60018

847-795-9800

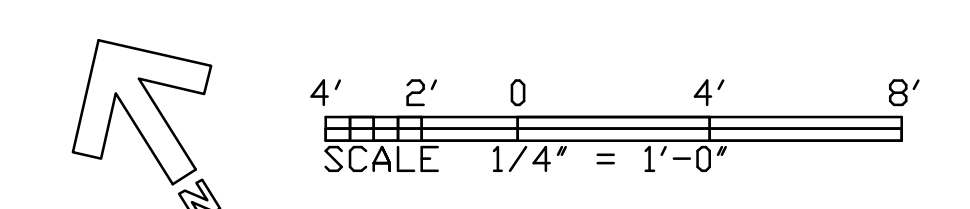


LEVEL 1



RF BLDG. 420

PRELIMINARY  
FOR REVIEW ONLY  
3/19/03



<p>ARGONNE NATIONAL LABORATORY</p>		
<p>PROJECT FILE ADVANCED PHOTON SOURCE CONVENTIONAL FACILITIES</p>		
<p>PROJECT NO. ANL 01907 KNIGHT 4900</p>		
<p>DOCUMENT TITLE <b>PROCESS PIPING—WEST</b> P107</p>		
<p>DRAWN BY A/E— ANL—</p>	<p>PROJECT MANAGER A/E— ANL—</p>	<p>BINDING ORDER</p>
<p>DESIGNED BY A/E— ANL—</p>	<p>PROJECT MANAGER ANL—</p>	<p>FACILITY NO(S)</p>
<p>CHECKED BY A/E— ANL—</p>	<p>ANL APPROVAL DATE</p>	
<p>MSTR. DISK ID VOL. NO.</p>	<p>FILE NAME</p>	<p>STATUS</p>
	<p>Filename</p>	
<p>FACILITY DOCUMENT NUMBER</p>		
<p>Jo 411 - 001WA A000</p>		
<p>WBS DOCUMENT NUMBER</p>		
<p>7103</p>	<p>001 AA</p>	