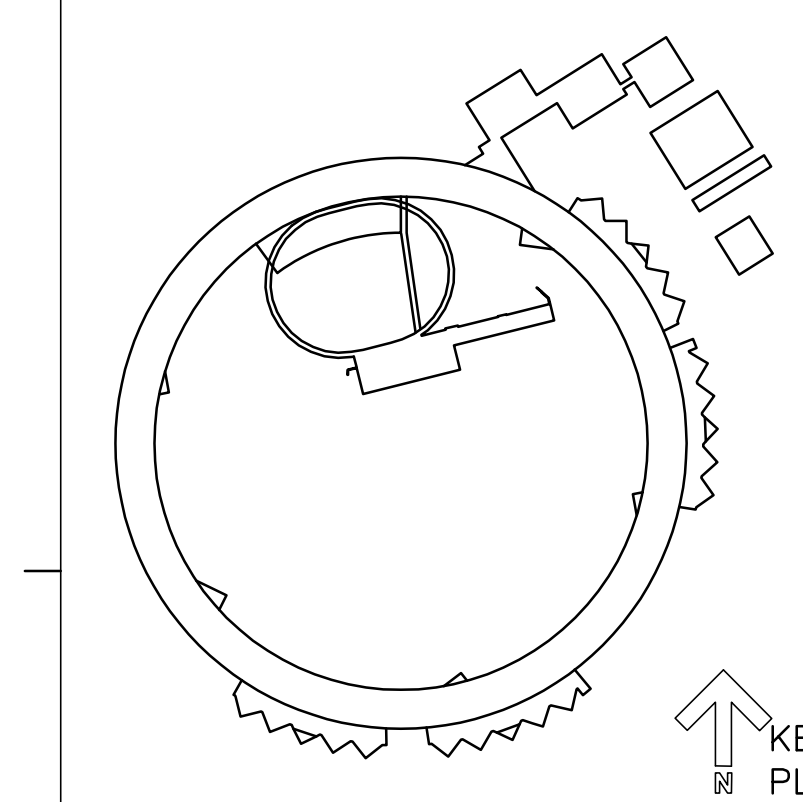
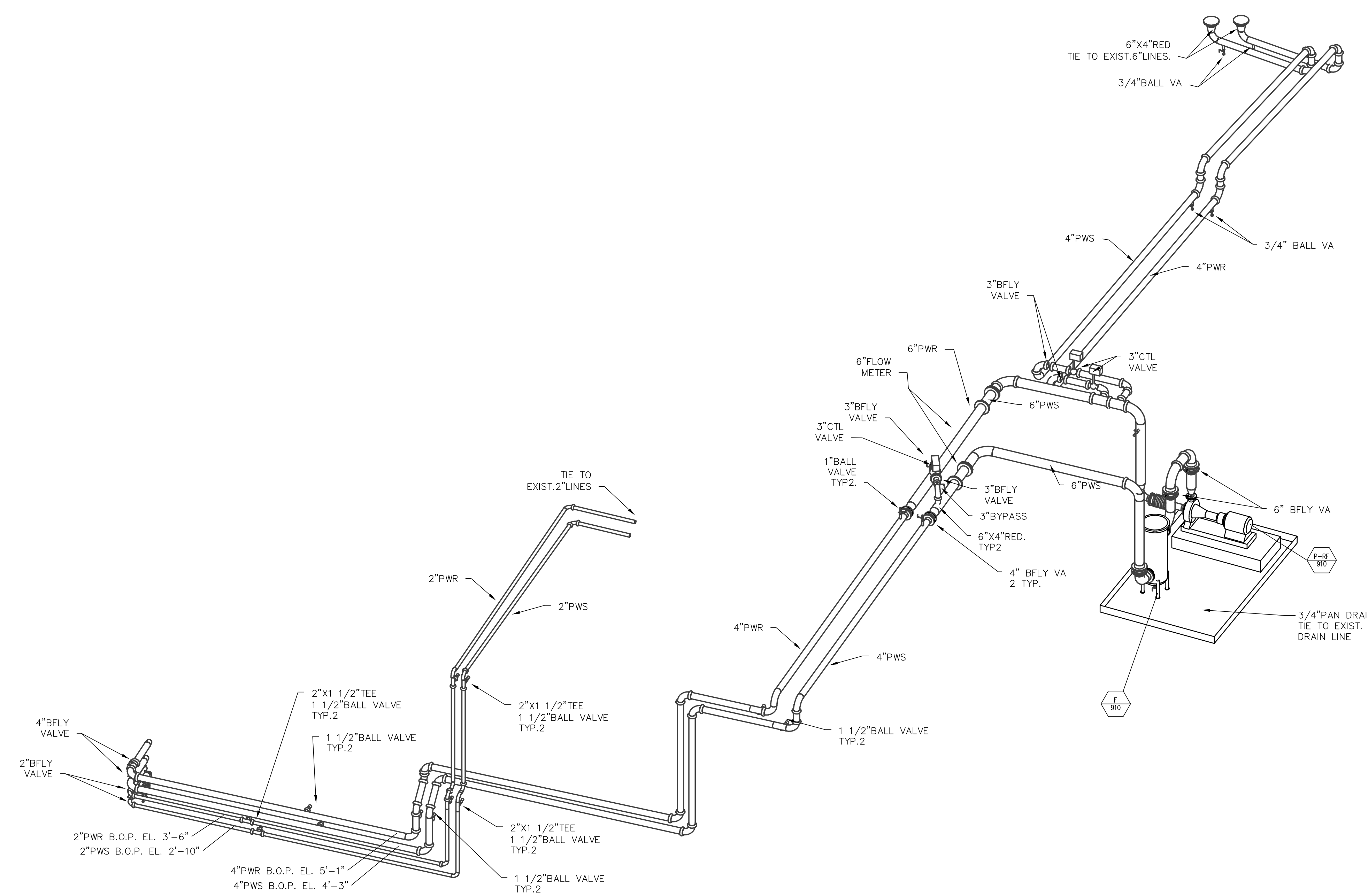


LEVEL 1



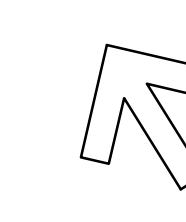
RF BLDG. 420



ISOMETRIC VIEW

NEW PWS&R PIPING IN BLDG 420 (WEST, COL. 163)  
FOR PLAN VIEW SEE DWG P-107  
NTS

AS BUILT  
10/11/04



SCALE 1/4" = 1'-0"



PROJECT TITLE  
ADVANCED PHOTON SOURCE  
CONVENTIONAL FACILITIES  
PROJECT NO. ANL 01907 KNIGHT 4900  
DOCUMENT TITLE  
PROCESS PIPING-SECTIONS  
P120

DRAWN BY A/E-	PROJECT MANAGER A/E-	BINDING ORDER
DESIGNED BY A/E-	PROJECT MANAGER ANL-	FACILITY NO(S)
CHECKED BY A/E-	ANL APPROVAL DATE	
MSTR. DISK ID VOL. NO.	FILE NAME	STATUS

FACILITY DOCUMENT NUMBER  
jo 411-001WA A000  
WBS DOCUMENT NUMBER  
7103 001 AA