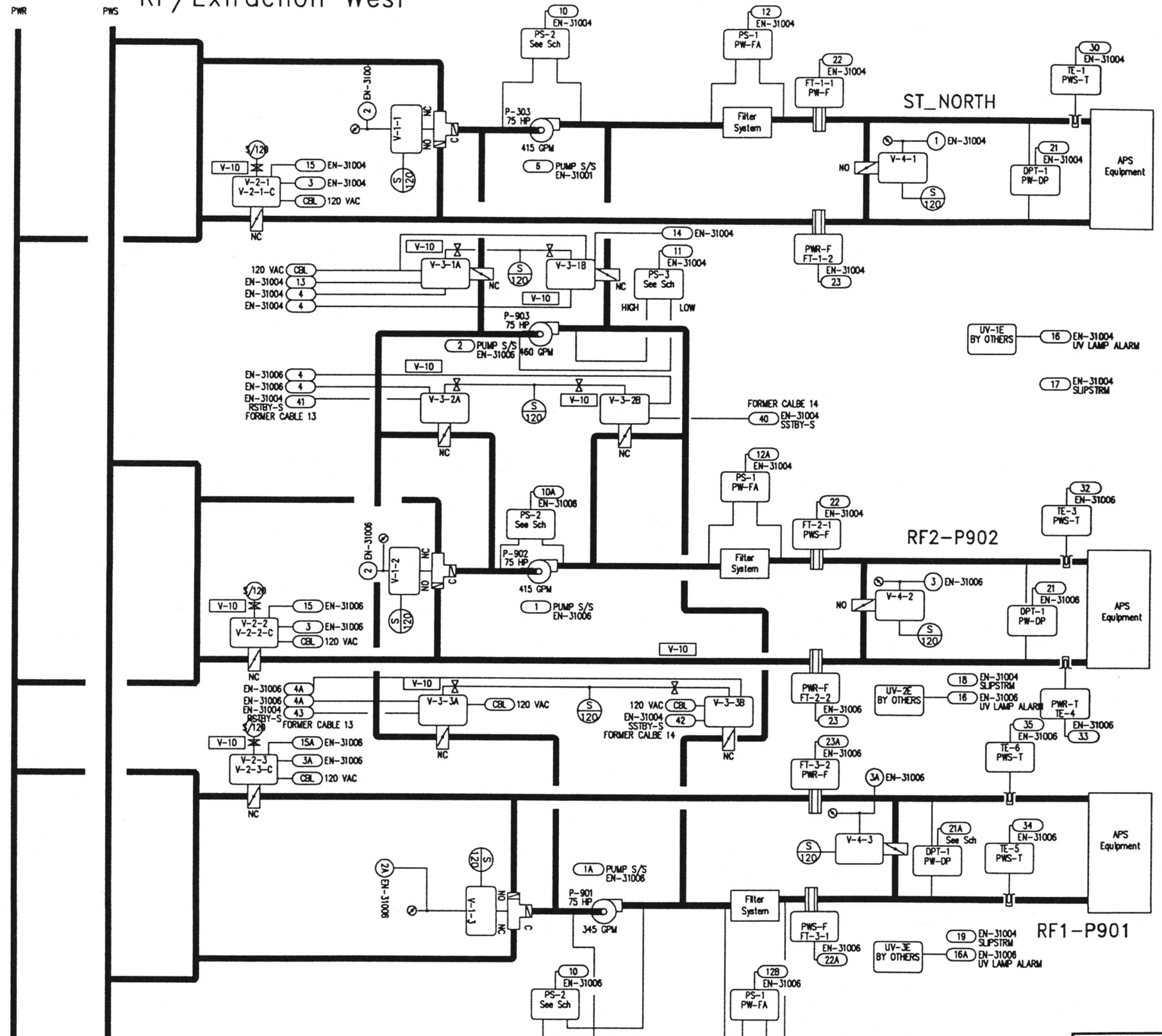


# Process Water Flow Diagram for Building 420 RF/Extraction West



DRAWING TITLE		FILE: 420_PW_W	
Building 420, Process Water RF/Extraction West Process Water Control Control Module Hardware			
REFERENCE DRAWING	NO.	REVISION-LOCATION	ECN DATE BY
SALES ENGR PROJECT MGR/APPL ENGR	JP SF	DRAWN DCS	APPROVED
PROJECT	DATE	DATE	DATE
The Argonne National Labs Advanced Photon Source Campus 9700 Cass Avenue South Argonne, IL 60439	10/19/94		
JOHNSON CONTROLS Systems & Services Division		CONTRACT NUMBER 91390-0009 DRAWING NUMBER 91-9-D-xxx	