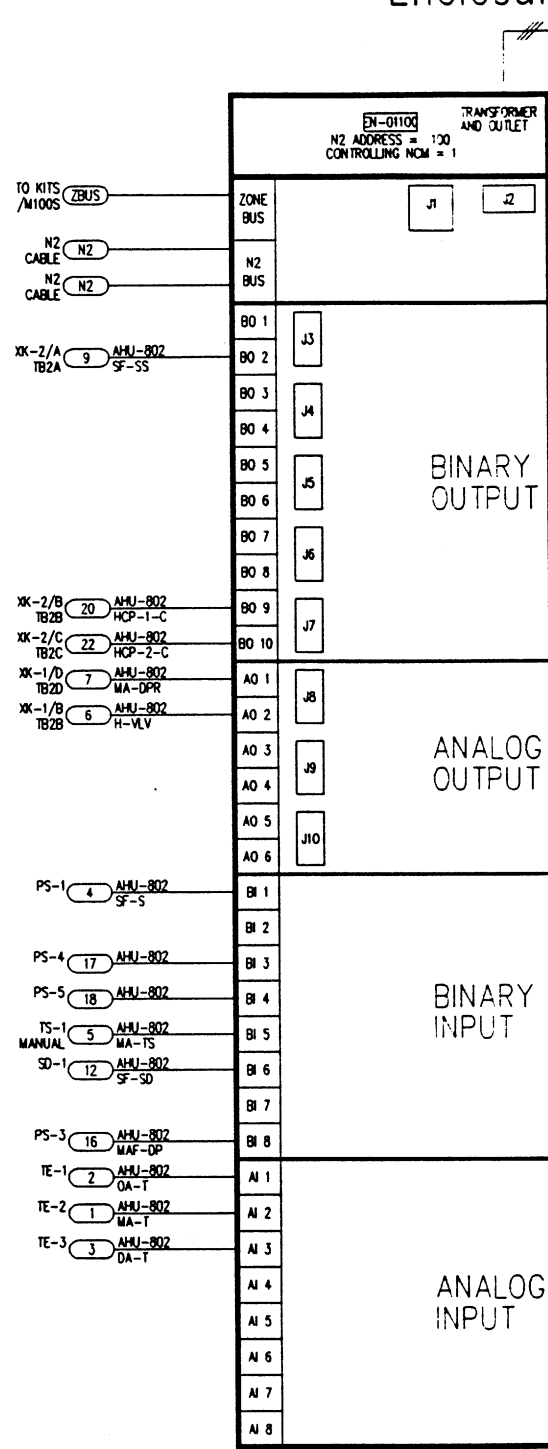
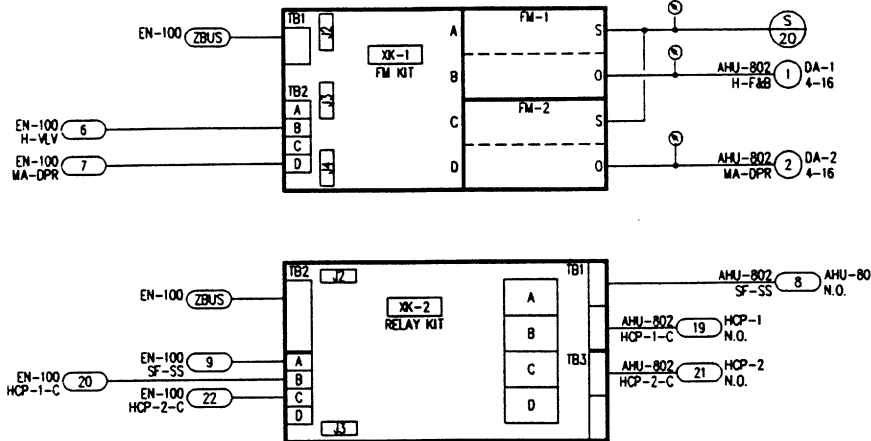


Enclosure, EN-01100, Digital ASC for Air Handling Unit, AHU-802



120VAC WITH GREEN WIRE GROUND
 TRANSFORMER AND OUTLET
 EN-01100
 N2 ADDRESS = 100
 CONTROLLING NOM = 1

INSTALL "FUSETRON" MODEL SSU FUSEHOLDER SWITCH AT EACH ENCLOSURE.



Control System Point Objects

100 NC1_HV\AHU802 AHU AHU

1	AHU-802\SF_S	BI
3	AHU-802\HCP-1-S	BI
5	AHU-802\MA_TS	BI
6	AHU-802\SF_SD	BI
8	AHU-802\FILTER	BI
1	AHU-802\FAM-C	BO
1	AHU-802\DA_T	AI
2	AHU-802\MA_T	AI
3	AHU-802\DA_T	AI
0	AHU-802\AHU_802	CS/ASC

PANEL MATERIAL			
DEVICE TAG	QTY	CODE NUMBER	DESCRIPTION
(P) EN-01100	1	AS-AHU101-0	AIR HANDLING UNIT ENC/TER
	1	AS-AHU102-0	AIR HANDLING UNIT LOGIC B
	1	EN-ENC200-0	ENCLOSURE
	1	AS-XFR100-0	100VA TRANSFORMER KIT
(P) FM-1-FM-2	1	AS-DAP100-0	DAP MANUAL MODULE
	2	FM-DAP100-0	E/P OUT FM FOR ASC
(P) XK-1	1	AS-FM100-0	FUNCTION MOD KIT-4 SLOTS
(P) XK-2	1	AS-RLT100-0	LINE VOLTAGE RELAY KIT
ACC	3	G-2010-5	0-30, 1 1/2 INCH PRESS GAUGE

ALL MATERIAL WITH (P) PRECEDING THE DEVICE TAG IN THE BILL OF MATERIAL IS PROPRIETARY AND IS BEING SUPPLIED BY JOHNSON CONTROLS, INC. ALL OTHER MATERIAL IS NON-PROPRIETARY.

DRAWING TITLE Enclosure EN-01100 Controller Model: AS-AHU100-0 Serving Air Handling Unit, AHU-802		RECORD 2 GENERAL 1 GENERAL		05/11/94 SF 06/30/92 SF 02/10/91 SF
PROJECT The Argonne National Labs Advanced Photon Source Campus 9700 Cass Avenue South Argonne, IL 60439	SALES ENGR PROJECT MGR/APPL ENGR JP SF DCS		DRAWN DATE 12/17/91	APPROVED DATE
JOHNSON CONTROLS Systems & Services Division		3007 WALMO ROAD ARLINGTON HEIGHTS ILLINOIS 60005 708/384-1500 Main 708/806-4438 Eng		CONTRACT NUMBER 91390-0009 DRAWING NUMBER 91-9-A-05B