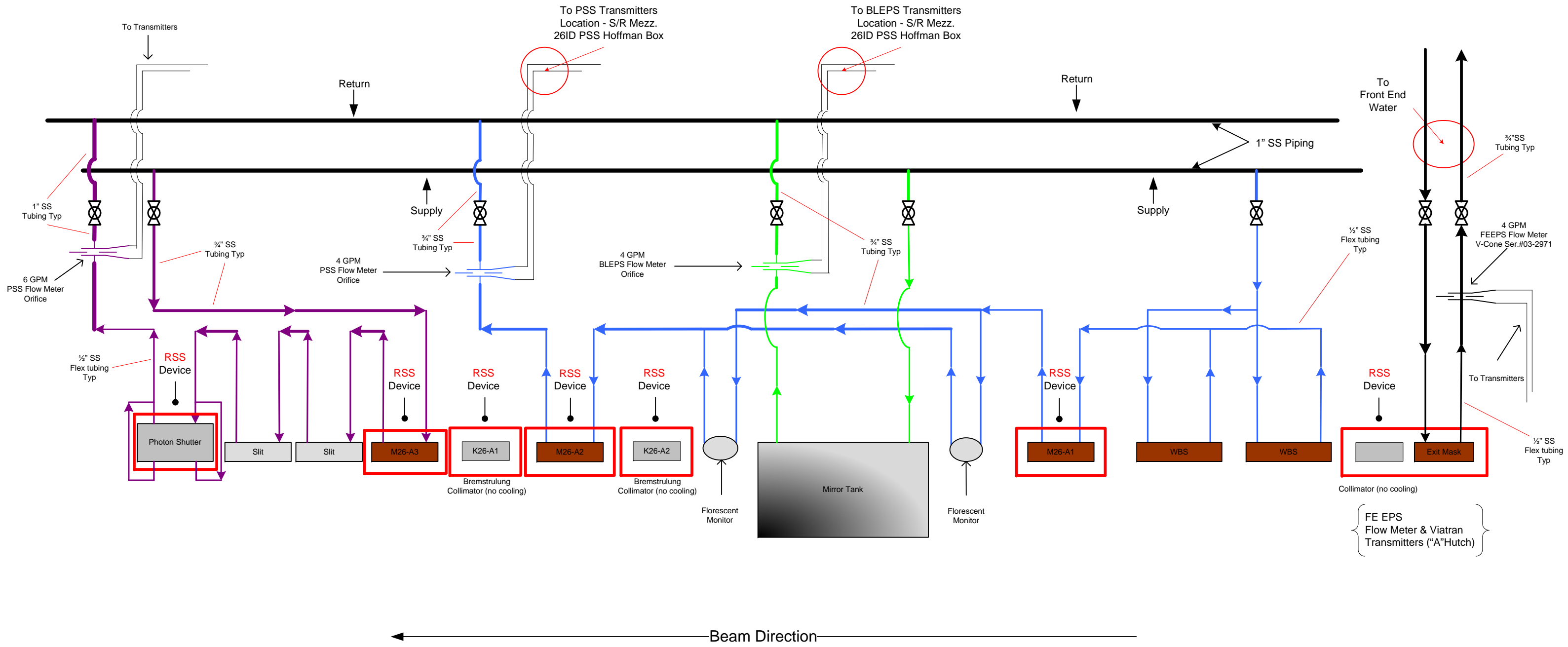


26 ID-A DI Water Circuits



Ed Theres
AES/MOM
6/23/2009